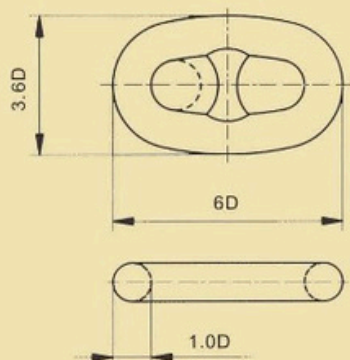


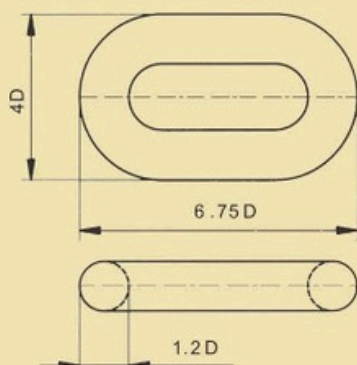
# Links



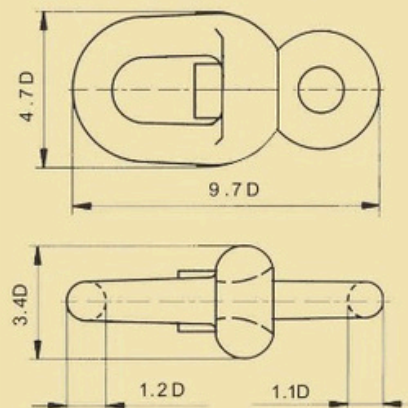
COMMON LINK=C



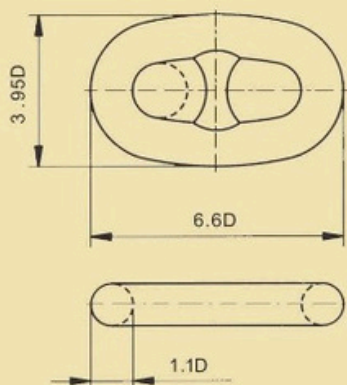
END LINK=E



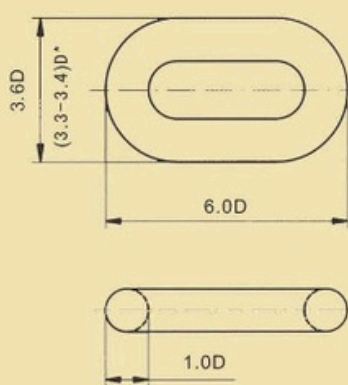
SWIVEL=SW



ENLARGED LINK=EL



STUDLESS LINK=SL



Pear Shaped Link



Triangle Plate (TP)



Round Link (RL)