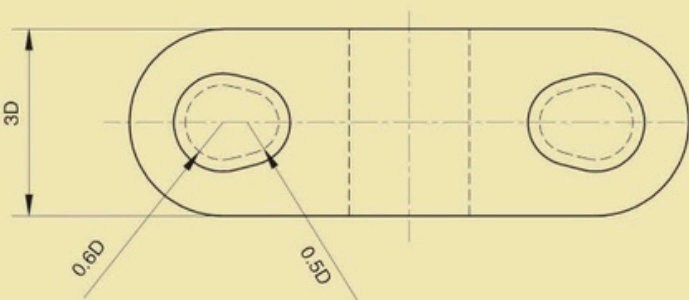
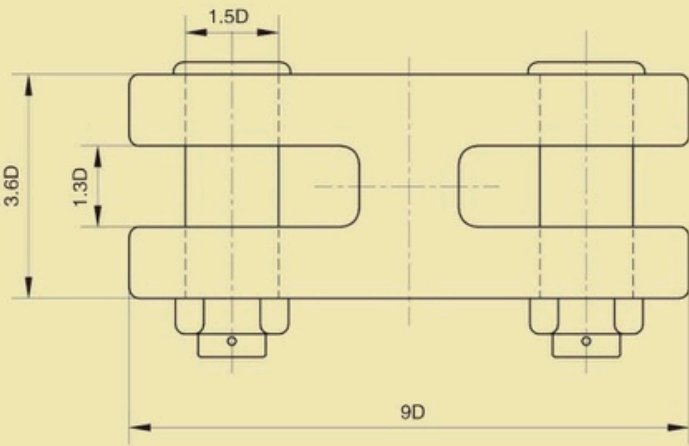


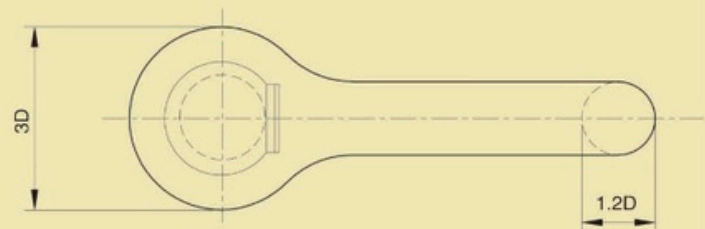
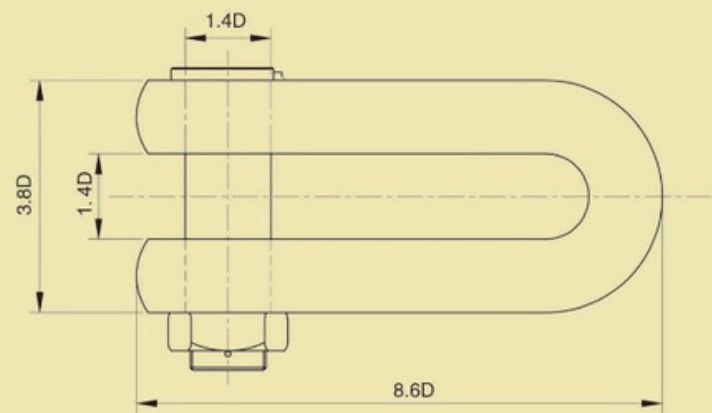
# Joining Shackles



LTM H-TYPE JOINING SHACKLE = LTM HJS



LTM END JOINING SHACKLE = LTM EJS



Pear Shaped Kenter Shackle