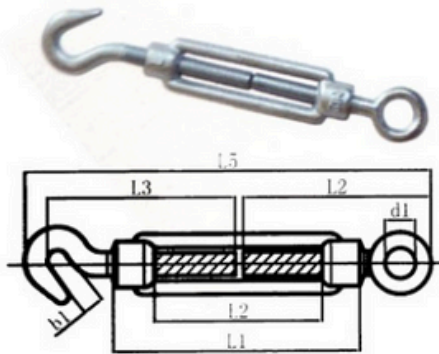
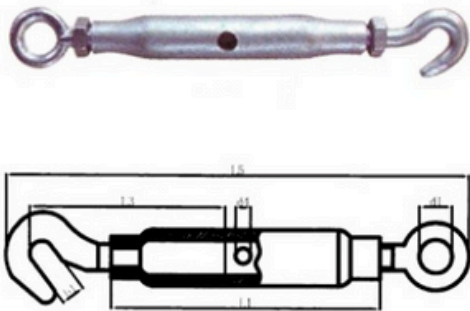


DIN 1480 TURNBUCKLES



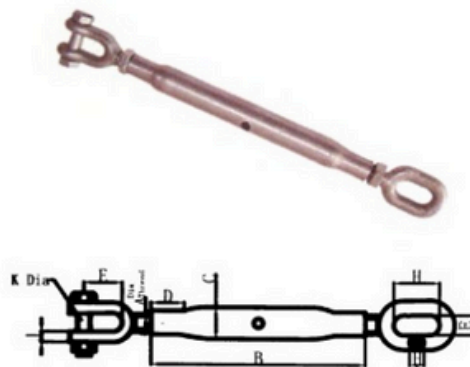
Size (mm)	Dimensions(mm)							Weight 100pcs(lbs)
	L1	L2	L3	bl	L4	d1	L5	
M6	110	80	85	8.5	80	9	172	21.0
M8	110	75	85	11	84	10	182	36.4
M10	125	85	112	13.5	105	14	213	64.0
M12	125	80	117	15.5	115	16	238	94.9
M14	140	90	122	18.5	122	18	263	136.8
M16	170	110	138	19	165	22	320	203.0
M20	200	130	170	20.5	167	24	367	359.7
M22	220	145	185	26	167	27	398	485.4
M24	255	170	205	26	205	27	447	662.0
M30	255	160	225	33	255	31	512	1015.0
M36	295	180	255	44	276	43	568	1694.6
M42	330	200	340	48	260	49	683	2846.4
M48	355	195	360	58	300	58	755	4633.7

DIN 1478 TURNBUCKLES



Size (mm)	Dimensions (mm)									Weight 100pcs (lbs)
	Body Length L1(mm)	Adjustable (mm)	d4	Hook		Eye		Total Length Screwed in L5		
				L3	bl	L3	d1			
M6	110	90	6	85	8.5	80	9	172	25.6	
M8	110	85	8	85	11	84	10	182	41.92	
M10	125	95	8	112	13.5	105	14	213	68.4	
M12	125	90	10	117	15.5	115	16	238	92.67	
M16	170	120	10	138	19	165	22	320	196.38	
M20	200	140	12	170	20.5	167	24	367	348.63	
M24	255	180	12	205	26	205	27	447	644.3	
M30	255	160	16	225	33	255	31	512	948.8	
M36	295	180	16	255	44	276	43	568	1334.95	
M42	330	200	20	340	48	260	49	683	2559.57	
M48	355	210	20	360	58	300	58	755	3530.45	

RIGGING SCREW



WLL (m. t)	Dimensions(mm)									Weight (lbs)	
	Dia Screw A	Length of Body B	Dia of Body C	D				E			
				JAW Length				OVALEYE Inside			
				Dia D1	Dia Pin D2	Length D3	Hidht D4	Dia E1	Length E2		Hidht E3
0.1	6	102	12	3	5	15	7	6	15	8	0.24
0.15	88	110	15	4	6	16	9	7	19	10	0.5
0.375	10	152	21	5	8	21	11	8	25	11	0.62
0.5	12	175	27	6	10	25	13	11	30	14	1.76
0.75	16	229	27	10	12	40	18	14	41	16	3.09
1.125	20	229	33	12	16	45	20	16	51	22	4.41
1.6	22	305	33	15	18	48	24	16	51	22	7.72
2	24	325	42	16	22	65	28	19	57	25	8.81
2.75	28	356	48	18	22	59	30	19	57	28	9.92
3.75	33	381	48	20	27	62	34	22	65	35	14.3
4.25	35	381	60	22	28	68	38	22	65	36	17.64
5	39	406	60	24	33	74	42	25	74	38	24.25