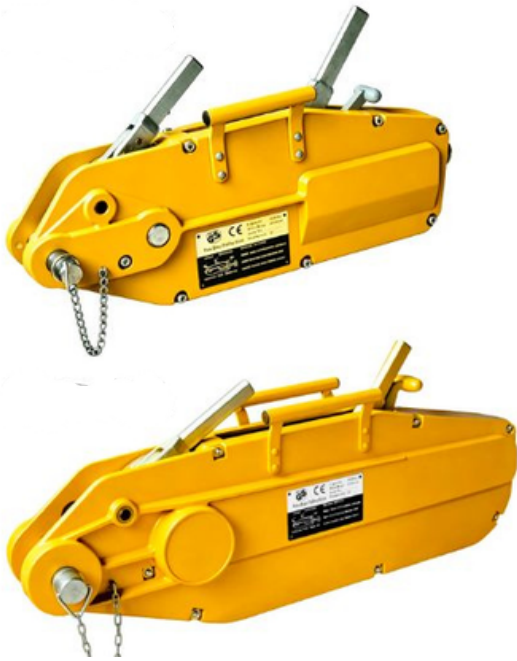
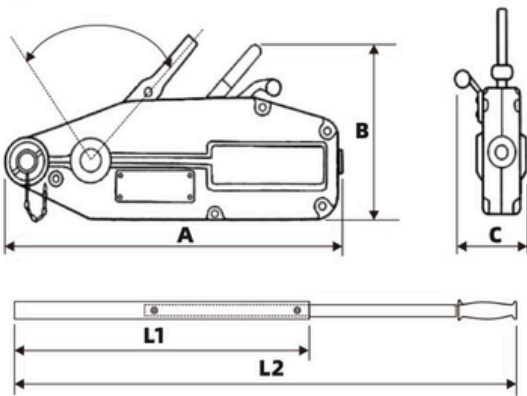


NHS Wire Rope Pulling Hoist



This product is widely used in large oil fields, ports, outdoor engineering operations according to the installation, road rescue and so on. It is especially suitable for use in the field without a power source. hand traveling cranes, and jib cranes.

Specification



Item\Mode	NHS-0.8	NHS-1.6	NHS-3.2	NHS-5.4
Rated capacity (t)	0.8	1.6	3.2	5.4
Rated capacity (N)	343	441	441	745
Rated forward travel (mm)	>52	>55	>28	>30
Rope diameter (mm)	8.3	11	16	20
Wire rope safety factor load capacity	5	5	5	5
Safety factor & static load capacity	5	5	5	5
Max travelling load	1200	2400	4000	8000
Net weight	6.5	12.5	28	56.5
L1 (cm)	—	80	80	68
L2 (cm)	80	120	120	112

Mode	NHS-0.8	NHS-1.6	NHS-3.2	NHS-5.4
A	426	545	660	930
B	235	280	325	480
C	64	97	116	152