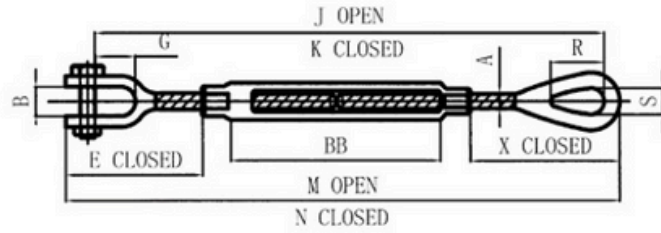


US TYPE TURNBUCKLES WITH EYE & JAW

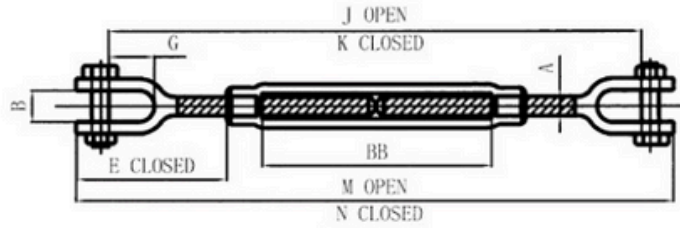


Drop Forged, Quenched and Tempered
Hot Dipped Galvanized

Proof Load is 2.5 times the Working Load Limit. Ultimate Load is 5 times the Working Load Limit.

Size(in)	WLL (T)	Weight (KG)	Dimensions(mm)											
			A	D	E Closed	G	J Open	K Closed	M Open	N Closed	R	S	X Closed	BB
1/4*4	0.23	0.14	6.35	11.4	40.1	15.7	288	187	307	205	19.8	865	445	101
5/16*4 1/2	0.36	0.23	7.85	12.7	50.5	22.1	348	221	356	242	23.8	11.1	53.0	114
3/8*6	0.54	0.36	9.65	13.7	54.0	22.1	427	275	451	299	28.4	13.4	640	152
1/2*6	1.00	0.68	12.7	16.5	70.0	26.9	490	312	520	342	36.5	18.2	82.0	152
1/2*9	1.00	0.78	12.7	16.5	70.0	26.9	642	388	673	419	36.5	18.2	82.0	228
1/2*12	1.00	0.94	12.7	16.5	70.0	26.9	795	465	825	495	36.5	18.2	82.0	304
5/8*6	1.59	1.07	16.0	20.1	89.0	33.3	533	349	572	388	44.4	22.3	99.0	152
5/8*9	1.59	1.44	16.0	20.1	89.0	33.3	686	425	725	464	44.4	22.3	99.0	228
5/8*12	1.59	1.64	16.0	20.1	89.0	33.3	838	501	877	541	44.4	22.3	99.0	304
3/4*6	2.36	1.81	19.1	23.9	106	38.1	576	386	625	435	53.0	25.4	119	152
3/4*9	2.36	2.15	19.1	23.9	106	38.1	729	462	777	511	53.0	25.4	119	228
3/4*12	2.36	2.69	19.1	23.9	106	38.1	881	538	930	587	53.0	25.4	119	304
3/4*18	2.36	3.18	19.1	23.9	106	38.1	1186	691	1235	739	53.0	25.4	119	457
7/8*12	3.27	3.79	22.4	28.7	123	44.5	917	567	973	624	60.4	31.7	130	304
7/8*18	3.27	4.42	22.4	28.7	123	44.5	1221	720	1278	776	60.4	31.7	130	457
1*6	4.54	4.05	25.4	34.0	140	52.5	669	466	734	531	76.0	36.5	162	152
1*12	4.54	5.08	25.4	34.0	140	52.5	974	618	1039	683	76.0	36.5	162	304
1*18	4.54	6.03	25.4	34.0	140	52.5	1279	771	1343	835	76.0	36.5	162	457
1*24	4.54	7.71	25.4	34.0	140	52.5	1583	923	1648	988	76.0	36.5	162	609
1 1/4*12	6.89	8.81	31.8	44.5	183	71.5	1050	681	1132	763	90.5	46.0	196	304
1 1/4*18	6.89	11.0	31.8	44.5	183	71.5	1354	834	1424	916	90.5	46.0	196	457
1 1/4*24	6.89	12.9	31.8	44.5	183	71.5	1659	986	1741	1068	90.5	46.0	196	609
1 1/2*12	9.71	13.1	38.1	52.3	200	71.5	1105	724	1200	819	103	54.0	219	304
1 1/2*18	9.71	15.9	38.1	52.3	200	71.5	1410	876	1505	972	103	54.0	219	457
1 1/2*24	9.71	17.8	38.1	52.3	200	71.5	1715	1029	1810	1124	103	54.0	219	609
1 3/4*18	12.7	24.4	44.5	66.0	239	86.0	1407	949	1518	1061	117	60.4	254	457
1 3/4*24	12.7	27.5	44.5	66.0	239	86.0	1711	1102	1823	1214	117	60.4	254	609
2*24	16.8	40.4	51.0	66.5	301	93.5	1845	1235	1980	1370	146	68.3	332	609
2 1/9*24	27.2	68	63.5	76.5	344	113	1925	1316	2093	1483	165	79.0	350	609
2 3/4*24	34.0	83	70.0	92.2	387	106	1978	1369	2172	1562	177	82.5	387	609

US TYPE TURNBUCKLES WITH JAW & JAW



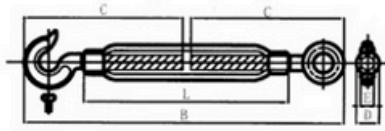
Drop Forged, Quenched and Tempered

Hot Dipped Galvanized

Proof Load is 2.5 times the Working Load Limit. Ultimate Load is 5 times the Working Load Limit.

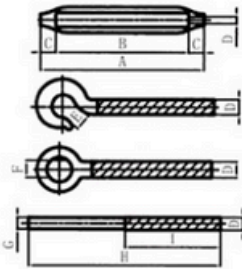
Size(in)	WLL(T)	Weight(KG)	Dimensions(mm)								
			A	B	E Closed	G	J Open	K Closed	M Open	N Closed	BB
1/4*4	0.23	0.16	6.35	11.4	40.1	15.7	277	175	302	201	102
5/16*4.1/2	0.36	0.24	7.85	12.7	50.5	22.1	314	212	353	239	114
3/8*6	0.54	0.37	9.65	13.7	54.0	22.1	410	258	441	289	152
1/2*6	1.00	0.71	12.7	16.5	70.0	26.9	470	292	508	330	152
1/2*9	1.00	0.79	12.7	16.5	70.0	26.9	622	368	660	406	229
1/2*12	1.00	1.09	12.7	16.5	70.0	26.9	775	445	813	483	305
5/8*6	1.59	1.23	16.0	20.1	89.0	33.3	509	325	562	378	152
5/8*9	1.59	1.56	16.0	20.1	89.0	33.3	662	401	715	454	229
5/8*12	1.59	1.77	16.0	20.1	89.0	33.3	814	478	867	530	305
3/4*6	2.36	1.86	19.1	23.9	106	38.1	546	356	612	422	152
3/4*9	2.36	2.48	19.1	23.9	106	38.1	699	432	765	498	229
3/4*12	2.36	2.98	19.1	23.9	106	38.1	851	508	917	574	305
3/4*18	2.36	3.64	19.1	23.9	106	38.1	1156	660	1222	726	457
7/8*12	3.27	3.71	22.4	28.7	123	44.5	892	543	967	618	305
7/8*18	3.27	4.89	22.4	28.7	123	44.5	1197	675	1272	770	457
1*6	4.54	4.62	25.4	34.0	140	52.5	628	425	713	510	152
1*12	4.54	5.96	25.4	34.0	140	52.5	933	577	1018	662	305
1*18	4.54	6.87	25.4	34.0	140	52.5	1237	729	1322	814	457
1*24	4.54	8.20	25.4	34.0	140	52.5	1542	882	1627	967	610
1-1/4*12	6.89	9.34	31.8	44.5	183	71.5	1012	644	1119	750	305
1-1/4*18	6.89	11.2	31.8	44.5	183	71.5	1317	796	1423	903	457
1-1/4*24	6.89	12.8	31.8	44.5	183	71.5	1622	948	1728	1055	610
1-1/2*12	9.71	13.9	38.1	52.3	200	71.5	1054	673	1181	800	305
1-1/2*18	9.71	16.7	38.1	52.3	200	71.5	1359	826	1486	953	457
1-1/2*24	9.71	18.9	38.1	52.3	200	71.5	1664	978	1791	1105	610
1-3/4*18	12.7	24.5	44.5	66.0	239	86.0	1356	899	1503	1046	457
1-3/4*24	12.7	28.7	44.5	66.0	239	86.0	1661	1051	1808	1198	610
2*24	16.8	42.8	51.0	66.5	301	93.5	1766	1157	1949	1339	610

COMMERCIAL TYPE TURNBUCKLES



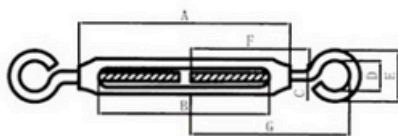
Size (mm)	WLL (kg)	Dimensions(mm)						Weight (lbs)
		B	C	D	E	F	L	
6x100	100	145	215	12	10	6	100	0.35
8x125	200	185	280	14	12	8	125	0.53
10x150	300	210	325	16	14	9	150	0.79
12x200	500	275	430	19	18	11	200	1.41
16x250	1000	345	540	23	24	14	250	3.18
20x300	1500	435	670	28	26	18	300	4.96
22x330	2200	480	740	34	32	20	330	7.79
24x350	3000	555	830	36	36	21	350	9.58

JIS TYPE FRAME TURNBUCKLES



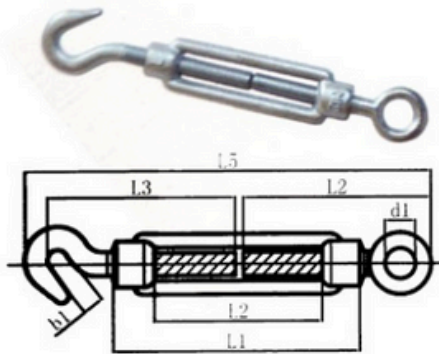
Size(D)		BodyOnly						Eye&Eye			Hook&Eye		Hook & Hook			WithStubs			
		A	B	C	T.L	W/PC	F	T.L	W/PC	T.L	W/PC	E	T.L	W/PC	H	I	G	W/PC	
mm	in	mm	in	mm	mm	t	lbs	mm	t	lbs	t	lbs	mm	t	lbs	mm	mm	mm	lbs
6	1/4	100	4	78	11	1	2.21	10	0.1	0.3	0.04	0.25	9	0.04	0.25	80	50	5.3	11.69
8	5/16	125	5	100	12.5	1.2	2.65	12	0.2	0.5	0.08	0.48	9	0.08	0.47	100	63	6.9	15.23
9	3/8	150	6	120	12.5	1.5	3.31	16	0.5	0.7	0.15	0.65	11	0.15	0.64	130	75	8.3	18.31
12	1/2	200	8	164	18	2	4.41	20	2	1.3	0.35	1.29	16	0.35	1.26	150	100	11.2	24.71
16	5/8	250	10	202	21.5	3	6.62	22	3	2.4	0.7	2.32	19	0.7	2.27	180	125	14.2	31.33
19	3/4	300	12	250	25	4	8.83	28	4	3.9	1	3.93	20	1	3.91	220	150	17.2	37.95
22	7/8	325	13	269	28	5	11.03	33	5	5.6	1.5	5.69	21	1.5	5.74	250	165	20.3	44.79
25	1	350	14	285	32.5	6	13.24	35	6	8.4	2	8.32	26	2	8.21	270	175	23.3	51.41
32	1-1/4	400	16	310	45	8	17.65	36*70	10	16.8	3	16.6	34	3	16.4	300	200	29	63.99
38	1-1/2	450	18	350	55	10	22.07	40*80	15	29.8	4	28.2	35	4	48.5	330	225	38	83.85

KOREAN TYPE TURNBUCKLE



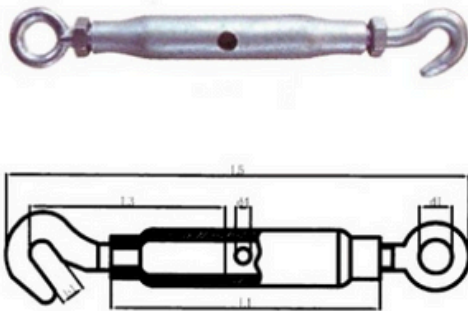
Size(in)	Dimensions(mm)							Weight(lbs)
	A	B	C	D	E	F	G	
3/16"	57.4	41.2	41.5	18.4	15	36	54.6	66
5/16"	90	70	8	11	22	65	95	320
3/8"	160	130	9	17	30	85	130	761
1/2"	190	155	10	20	30	95	150	1236
1/2"(Long)	255	215	10	30	35	140	190	1743
5/8"	250	200	15	25	45	130	190	2471
5/8"(Long)	350	300	15	30	45	180	240	3398
3/4"	250	200	20	35	45	140	210	3685
3/4" (Long)	300	245	20	40	55	170	240	4523

DIN 1480 TURNBUCKLES



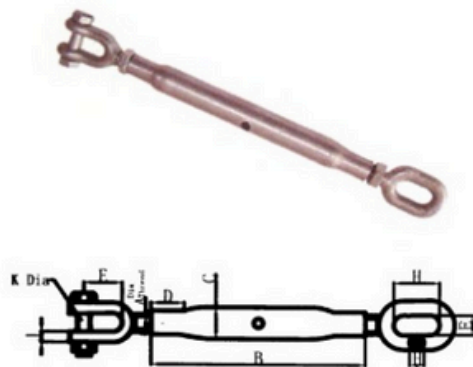
Size (mm)	Dimensions(mm)							Weight 100pcs(lbs)
	L1	L2	L3	bl	L4	d1	L5	
M6	110	80	85	8.5	80	9	172	21.0
M8	110	75	85	11	84	10	182	36.4
M10	125	85	112	13.5	105	14	213	64.0
M12	125	80	117	15.5	115	16	238	94.9
M14	140	90	122	18.5	122	18	263	136.8
M16	170	110	138	19	165	22	320	203.0
M20	200	130	170	20.5	167	24	367	359.7
M22	220	145	185	26	167	27	398	485.4
M24	255	170	205	26	205	27	447	662.0
M30	255	160	225	33	255	31	512	1015.0
M36	295	180	255	44	276	43	568	1694.6
M42	330	200	340	48	260	49	683	2846.4
M48	355	195	360	58	300	58	755	4633.7

DIN 1478 TURNBUCKLES



Size (mm)	Dimensions (mm)									Weight 100pcs (lbs)
	Body Length	Adjustable	d4	Hook		Eye		Total Length Screwed in	L5	
	L1(mm)	(mm)		L3	bl	L3	d1			
M6	110	90	6	85	8.5	80	9	172	25.6	
M8	110	85	8	85	11	84	10	182	41.92	
M10	125	95	8	112	13.5	105	14	213	68.4	
M12	125	90	10	117	15.5	115	16	238	92.67	
M16	170	120	10	138	19	165	22	320	196.38	
M20	200	140	12	170	20.5	167	24	367	348.63	
M24	255	180	12	205	26	205	27	447	644.3	
M30	255	160	16	225	33	255	31	512	948.8	
M36	295	180	16	255	44	276	43	568	1334.95	
M42	330	200	20	340	48	260	49	683	2559.57	
M48	355	210	20	360	58	300	58	755	3530.45	

RIGGING SCREW



WLL (m. t)	Dimensions(mm)									Weight (lbs)			
	Dia Screw A	Length of Body B	Dia of Body C	D				E					
				JAW				OVALEYE					
				Length				Inside					
Dia	DiaPin	Length	Hidht	Dia	Length	Hidht	D1	D2	D3	D4	E1	E2	E3
0.1	6	102	12	3	5	15	7	6	15	8	0.24		
0.15	88	110	15	4	6	16	9	7	19	10	0.5		
0.375	10	152	21	5	8	21	11	8	25	11	0.62		
0.5	12	175	27	6	10	25	13	11	30	14	1.76		
0.75	16	229	27	10	12	40	18	14	41	16	3.09		
1.125	20	229	33	12	16	45	20	16	51	22	4.41		
1.6	22	305	33	15	18	48	24	16	51	22	7.72		
2	24	325	42	16	22	65	28	19	57	25	8.81		
2.75	28	356	48	18	22	59	30	19	57	28	9.92		
3.75	33	381	48	20	27	62	34	22	65	35	14.3		
4.25	35	381	60	22	28	68	38	22	65	36	17.64		
5	39	406	60	24	33	74	42	25	74	38	24.25		